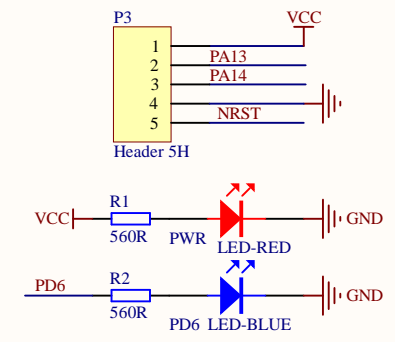
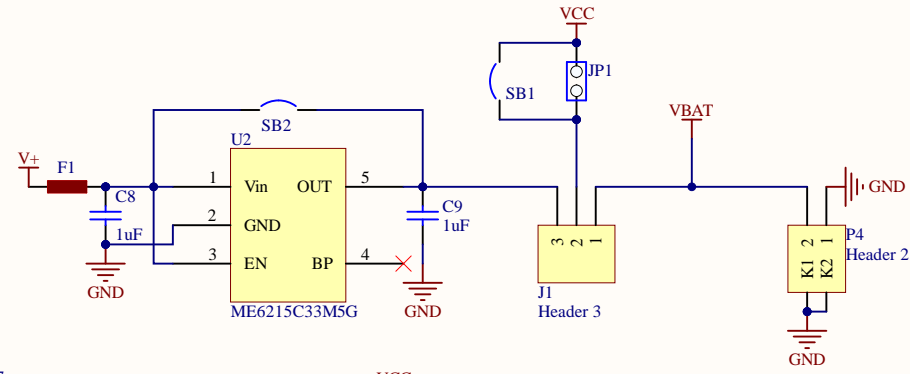
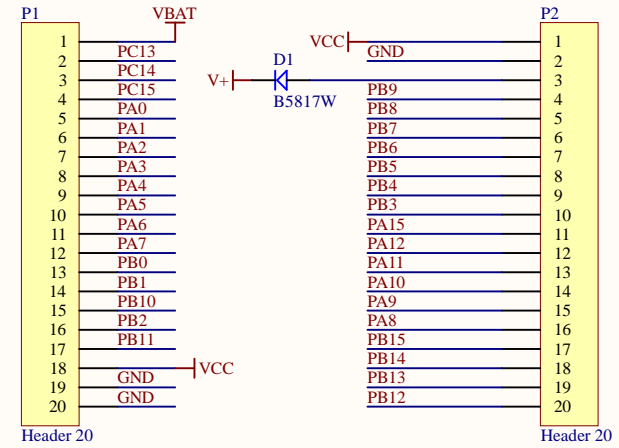
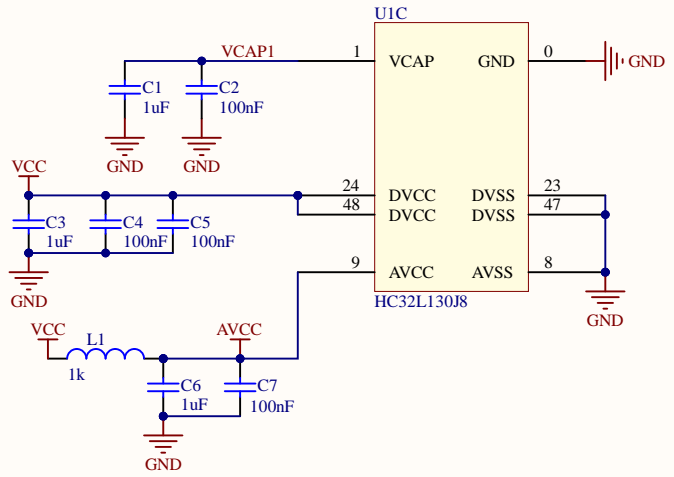
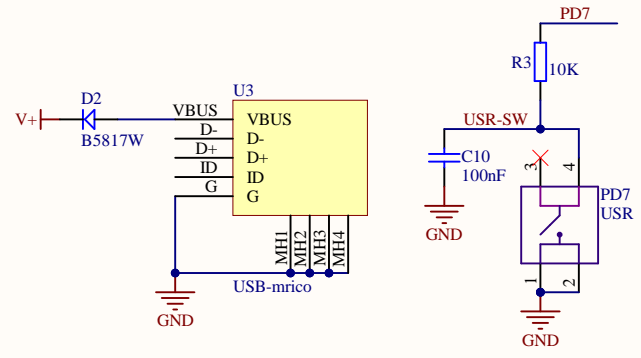
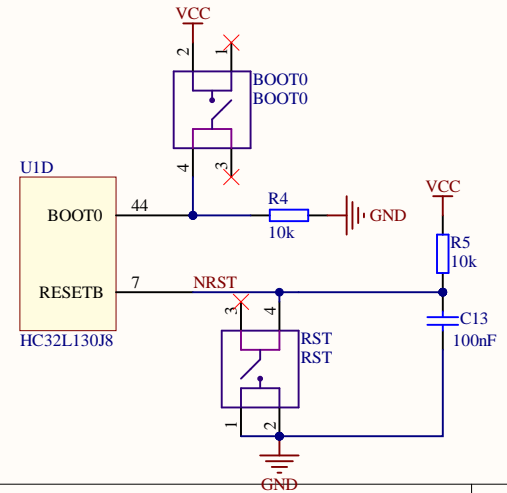
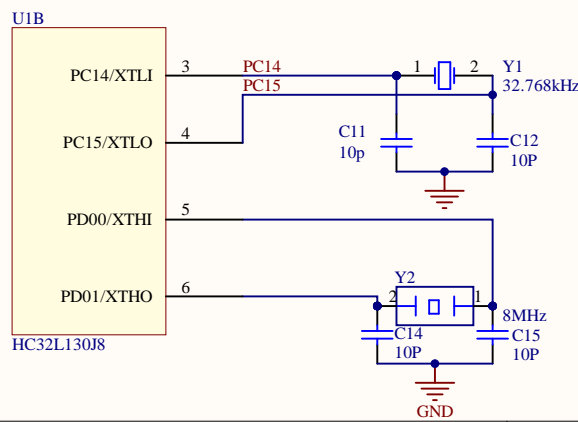


U1A

PA00	10	PA0
PA01	11	PA1
PA02	12	PA2
PA03	13	PA3
PA04	14	PA4
PA05	15	PA5
PA06	16	PA6
PA07	17	PA7
PA08	29	PA8
PA09	30	PA9
PA10	31	PA10
PA11	32	PA11
PA12	33	PA12
PA13/SWDIO	34	PA13
PA14/SWCLK	37	PA14
PA15	38	PA15
PB00	18	PB0
PB01	19	PB1
PB02	20	PB2
PB03	39	PB3
PB04	40	PB4
PB05	41	PB5
PB06	42	PB6
PB07	43	PB7
PB08	45	PB8
PB09	46	PB9
PB10	21	PB10
PB11	22	PB11
PB12	25	PB12
PB13	26	PB13
PB14	27	PB14
PB15	28	PB15
PC13	2	PC13
PD06	35	PD6
PD07	36	PD7



HC32L130J8
当MCU为HC32F170/F190: PD6为PF6 PD7为PF7



Title HC32L130-SCH			源地® 工作室 VCC-GND® studio VCC-GND.COM
Number: 1	Revision: *		
Date: 2021/9/30	Time: 13:18:43	Sheet 1 of 1	